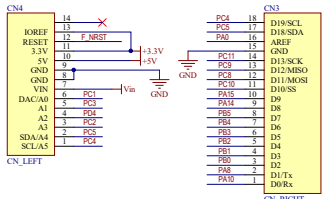
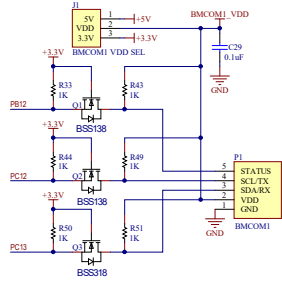


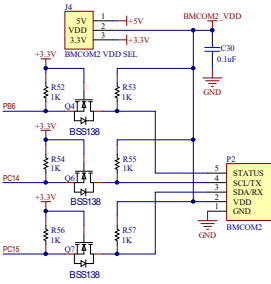
BMduino-Shield



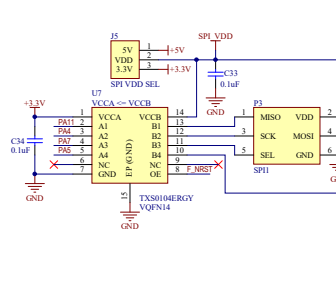
BMCOM1



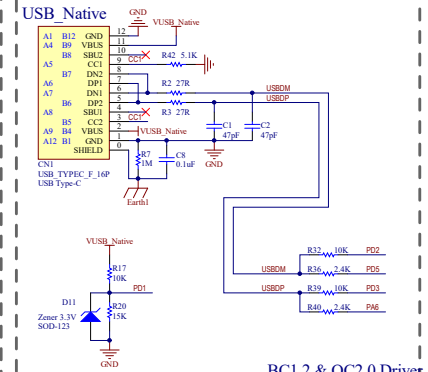
BMCOM2



SPI1

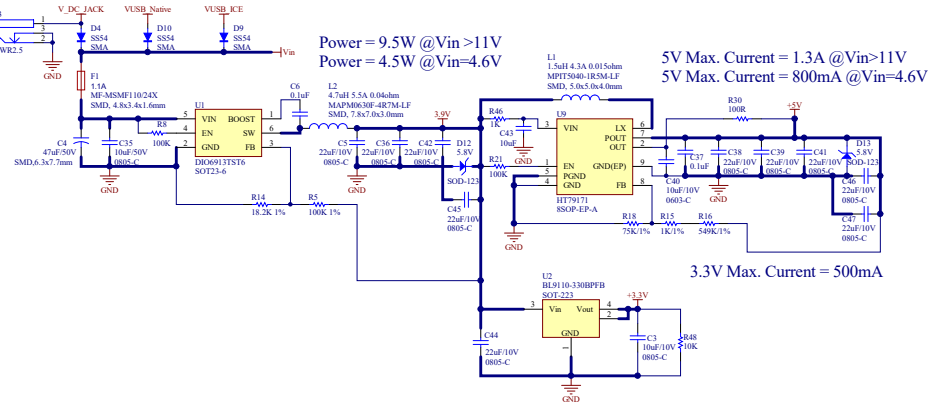


USB_Native

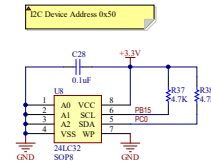


BC1.2 & QC2.0 Driver

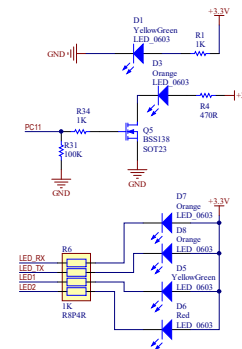
Power Circuit



EEPROM



LED Indicator



MCU

e-Link32 Lite

