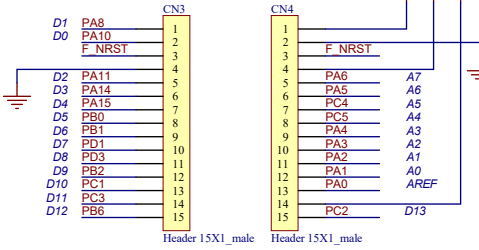
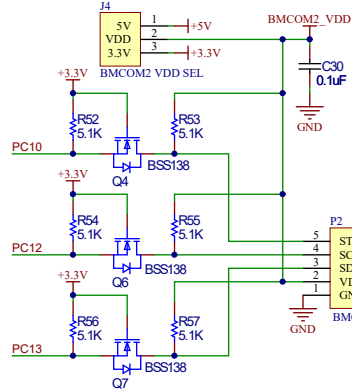


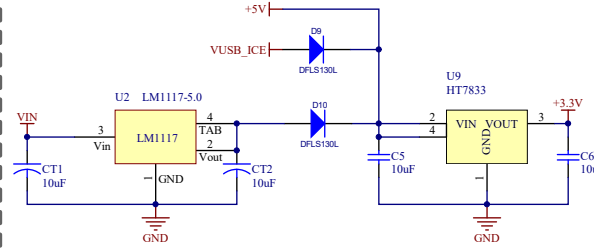
BMduino-Shield



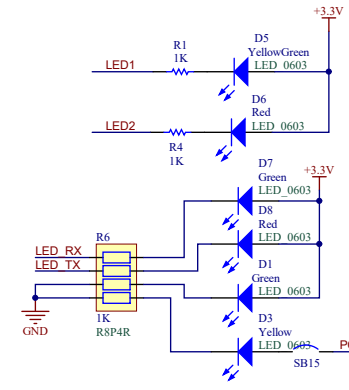
BMCOM2



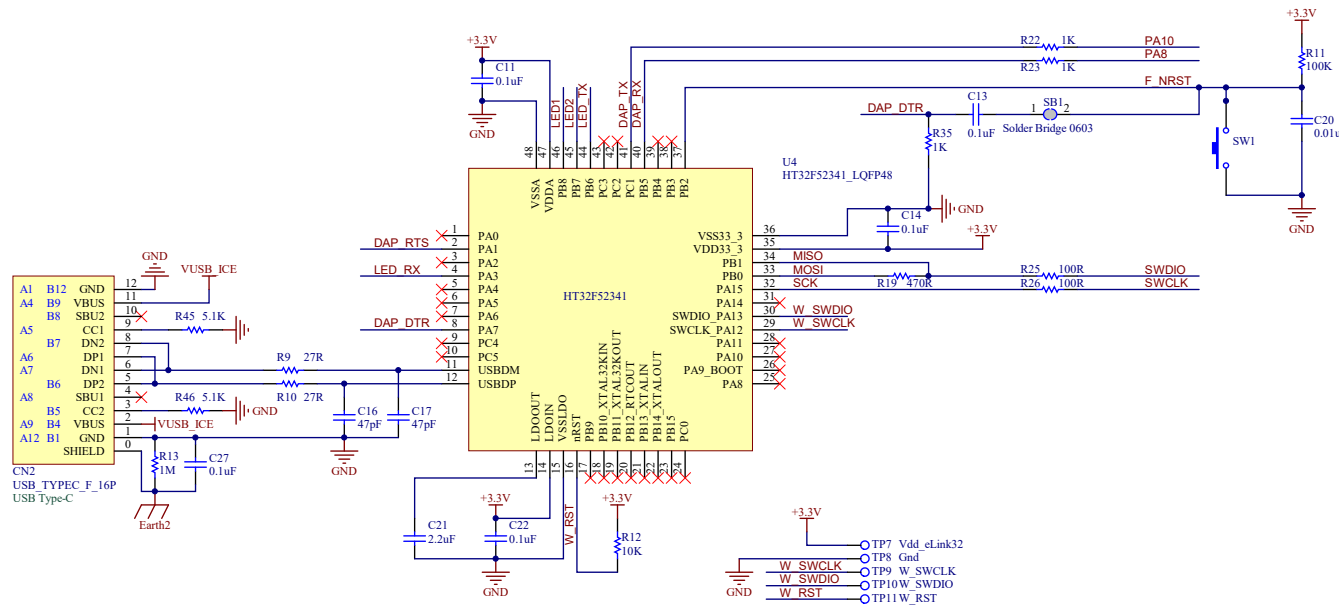
Power Circuit



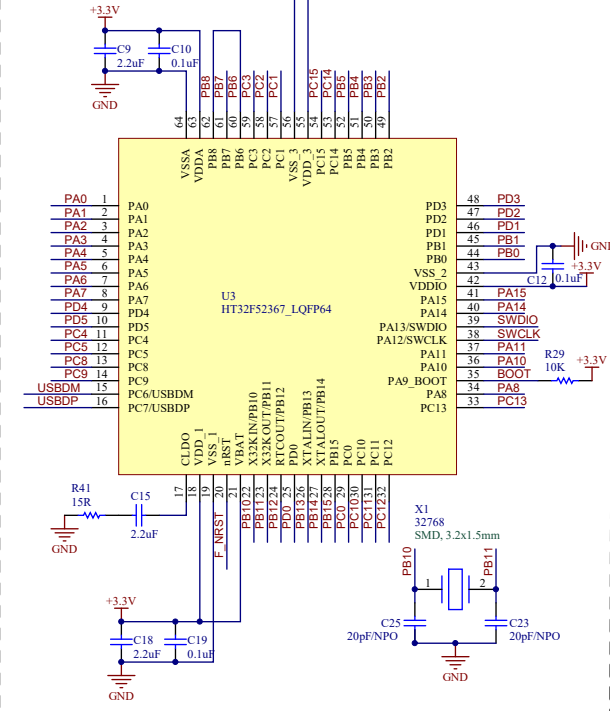
LED Indicator



e-Link32 Lite



MCU



Title:	BM18B367A
Design by:	BESTMODULES TEAM
Data:	2024/5/21
Rev:	V1.1

