

ERLANG TEC

Reed Sensor Solution

The best solution partner
in reed sensor.....

东莞市铨伦实业有限公司

Erlang Technology Co., LTD

样品承认书

Sample Confirmation

客 户TO. _____ LIVPURE
品 名Article _____ TDS传感器
规 格Item _____ TDS-37
图 号Drawn NO. _____ 2018091403
日 期Date _____ 2018.09.14

东莞市铨伦实业有限公司 Erlang Technology Co., LTD	
承办 Approved by	邹远华
审校 Revised by	
核准 Handled by	

客户承认章 Recognition Stamp of Customer	
承办 Approved by	
审校 Revised by	
核准 Handled by	

东莞市铨伦实业有限公司

Erlang Technology Co., LTD

地址: 广东省东莞市长安镇沙头中坊工业区东大一街12号

Address: No.12, East 1st Street, Zhongfang Industrial Area, Shatou Village, Chang'an Town, Dongguan City, Guangdong Province, China.

TEL:0769-85840178 FAX:0769-85840378

TDS-37传感器规格书

规格书编号:2018091403

页码: 1/4

1. 定义:

本产品通过测量水介质间的导电率从而间接反映出TDS值, 判定水质纯净度。

This product indirectly reflects the TDS value by measuring the conductivity between the water medium, and determines the purity of water quality.

2. 使用范围:

本产品适用于检测水质等水处理设备

This product is suitable for testing water treatment equipment such as water quality.

3. 规格尺寸:

参照3/4规格图

4. 技术要求:

4-1 额定电压 Rated voltage	5V DC/AC
4-2 推荐工作电流 Recommended working current	$\leq 10 \mu A$
4-3 最大工作电流 Maximum working current	$\leq 10mA$ (电流越大, 使用寿命越短) (The larger the current, the shorter the service life.)
4-4 电极间开路电阻 Open circuit resistance between electrodes	$\geq 5M \Omega$
4-5 电极间短路电阻 Short circuit resistance between electrodes	$\leq 400m \Omega$ (电极直接接触) (Direct contact of electrodes.)
4-6 电极到外壳电阻(绝缘电阻) Electrode to case resistance (insulation resistance)	$\geq 5M \Omega$
4-7 适用介质 Applicable medium	水(符合GB5749标准) Water (Conform to GB5749 standard)
4-8 使用温度范围 Temperature range	0-60°C (不结冰) 0-60°C (No ice)
4-9 使用压力范围 Pressure range	0-0.8MPa
4-10 电气强度 Electrical strength	500V AC/min/50Hz, 无闪络与击穿 No flashover and breakdown

TDS-37传感器规格书

规格书编号:2018091403

页码: 2/4

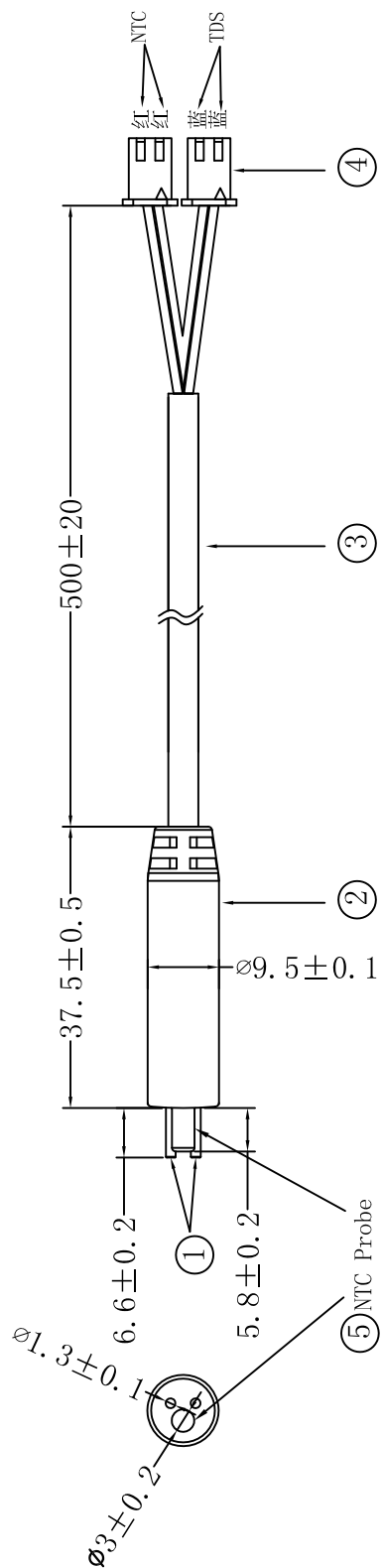
4-11	耐寒性能 Cold resistance	在温度 $-20\pm 3^{\circ}\text{C}$ 下放置96h后, 在常温下放置1h, 性能满足要求 After placing 96 hours at temperature $-20\pm 3^{\circ}\text{C}$ and placing 1h at room temperature meet the requirements.
4-12	耐热性能 Heat resistance	在温度 $80\pm 3^{\circ}\text{C}$ 下放置96h后, 在常温下放置1h, 性能满足要求 After placing 96 hours at temperature $80\pm 3^{\circ}\text{C}$ and placing 1h at room temperature meet the requirements.
4-13	恒定湿热试验 Constant humidity heat test	在温度 $40\pm 3^{\circ}\text{C}$ 、相对湿度为 $93\%\pm 3\text{RH}$ 的环境下放置96小时, 待干燥后其电气性能仍符合要求 For 96 hours at a temperature of 40 ± 3 and a relative humidity of $93\%\pm 3\text{RH}$, after drying, its electrical properties still meet the requirements.
4-14	盐雾试验 Salt spray test	在环境温度 $35\pm 3^{\circ}\text{C}$ 用 $5\pm 0.1\%$ 的盐水喷雾环境放置192h, 试验结束后无生锈、明显腐蚀现象 At ambient temperature of $35\pm 3^{\circ}\text{C}$ centigrade, $5\pm 0.1\%$ salt water spray was applied to the environment for 192 hours, there is no rust and obvious corrosion after the test.
4-15	水力循环(耐水锤) Hydraulic cycle (Water resistant hammer)	可以承受0-1.04MPa 10万次水锤试验无变形、损坏, 不得出现渗漏水现象 It can withstand 0-1.04MPa and 100 thousand water hammer test without deformation, damage, no leakage phenomenon.
4-16	密封性 Sealing property	可以承受1.2MPa静态水压不变形、不损坏, 各连接部位无渗漏水现象 It can withstand static water pressure of 1.2MPa without deformation or damage, and there is no leakage phenomenon at all joints.
4-17	零压密封性 Zero pressure seal	在0-0.003Mpa进水压力下, 无渗透、无漏水现象 Under 0-0.003Mpa influent pressure, no leakage and no leakage.
4-18	爆破压力试验 Burst pressure test	进水水压升至2.76MPa时, 塑料外壳无损坏、变形现象 When the inlet water pressure rises to 3.2MPa, the plastic case is not damaged or deformed
4-18	引出端强度 Terminal tensile strength	应能承受30N/10s 以上的拉力。 It should be able to withstand more than 30N/10s tension.
4-19	外观要求 Appearance requirements	探头表面平滑, 无划伤、裂痕、凹陷、弯曲等不良, 塑料外壳无污渍、损伤、缺料等不良 The probe surface is smooth, no scratches, cracks, depressions, bending and other bad, no stains, damage, material shortage and other bad plastic shell

TDS-37传感器规格书

规格书编号:2018091403

页码: 3/4

[规格尺寸]



东莞市铨伦实业有限公司

TDS-37传感器规格书

规格书编号:2018091403

页码: 4/4

[材 料]

6	PCB PCB	FR-4		
5	热敏电阻 thermistor	PX3-42H-\$S2	1	
4	P架 connector	XH2.5 2P 红色/蓝色 Red/Blue	2	
3	线材 wire	UL2464 24AWGx4c 黑色外被线 UL2464 24AWGx4c Black cable wire	1	
2	本体 Stem	PP材质 Materia PP	1	
1	探针 probes	本色钛材质 Ti material	2	
序号 No.	名称 Item	物料规格 Material Description	数量 Quality	备注 Remark

技术要求:1. 外观要求:

a:探针采用钛材质,表面平滑,无裂痕、凹陷、弯曲等不良.

b:外壳表面无损伤、污渍、缺损等不良.

2. 热敏电阻要求: 标称阻值 $R_{25}=10K \pm 1\%$ $B_{25}/85=3435K \pm 1\%$.

3. 绝缘性能: 500VAC/1min/50Hz, 开关无闪络与击穿

4. 工作电压 $\leq 5V$ (此电压施加在探针两端的电压), 工作电流 $\leq 10mA$ (电流越小, 探针使用寿命越长).

5. 所有物料使用均需符合RoHS标准。

包装要求:依据公司自制定包装要求包装进行出货。

Technical requirement:

1. Appearance requirement:

a、The material of the TDS probe is Ti, the surface is smooth, no cracks/sunken/bending and other adverse.

b、There is no damage/dirt/defect on Shell surface.

2. Thermistor requirements: nominal resistance $R_{25}=10K \pm 1\%$ $B_{25}/85=3435K \pm 1\%$

3. Insulation performance: 500VDC, switch no flashover and breakdown.

4. Working voltage $\leq 5V$ (this voltage is applied across the pin's voltage) work current $\leq 10mA$ (the smaller current will be longer life)

5. All materials are comply with RoHS

RoHS

东莞市铨伦实业有限公司